



PRESERVATECH
PRESERVE YOUR PRICELESS TREASURES

FILTERING SYSTEM

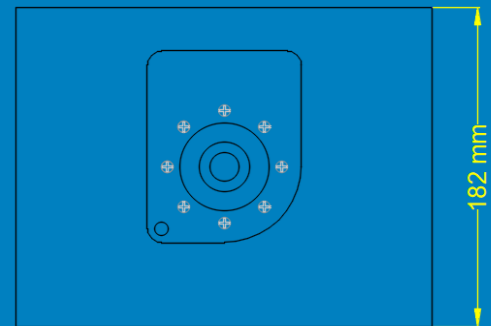
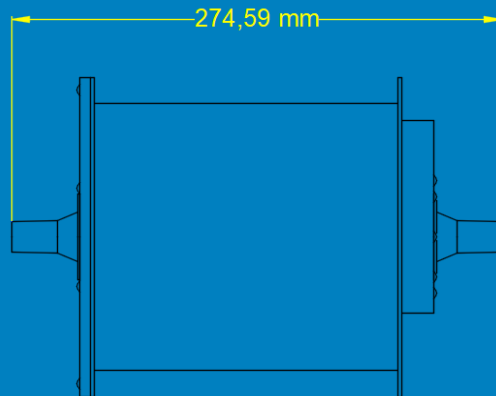
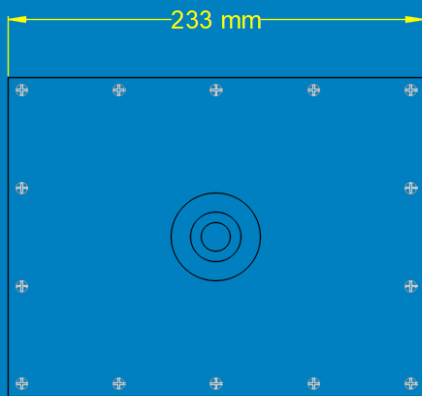
FOR DISPLAY CASES



Our filtering system is designed to control air quality inside museum display cases. The system can work as a standalone system with a built-in fan or as an addition to our Mini One and/or PMCG machines.

Every system consists of two cartridges which can be combined in any configuration:

- Ozone cartridge
- Dust/ HEPA cartridge
- Activated carbon cartridge (granulated).
- Canvas type activated carbon (for use with PMCG)
- CO₂ removal cartridge.



Configuration:

Stand Alone system - recirculating	Filter body connected to the case using two 22mm OD hoses.
Stand alone system – positive pressure	Filter body connected to the case using single 22 mm OD hose.
Mini One humidity generator	Mini One connected to the filter and filter output connected to the case. POSITIVE PRESSURE CONFIGURATION
<i>NOTE: USING FILTER IN CONJUNCTION WITH MINI ONE OR PMCG LOWERS OVERALL HUMIDITY GENERATOR PERFORMANCE</i>	
PMCG humidity generator	Filter unit connected inline after PMCG output.
<i>NOTE: USING FILTER IN CONJUNCTION WITH MINI ONE OR PMCG LOWERS OVERALL HUMIDITY GENERATOR PERFORMANCE</i>	

Specification

Body Size	233mm x 275mm x 183mm (9"x11"x7")
Body material	Black powder coated steel
Weight (empty – without cartridges)	3 kg
Stand alone system airflow :	
Granulated Carbon + HEPA	1.8 m ³ /h
Ozon + HEPA	2.2 m ³ /h
Granulated Carbon + Ozon	2.2m ³ /h
Canvas carbon + Ozon	2.5m ³ /h
Internal Fan	12VDC 3W
Included parts for standard stand alone system	Body, 2 cartridges, 2 m of 22 mm silicone hose, 2 Air connectors, DC Power supply.

For exact specification of available cartridges, please visit our download page:

<https://www.preservatech.com/downloads>