



**PRESERVATECH**  
PRESERVE YOUR PRICELESS TREASURES



## FILTERING SYSTEM

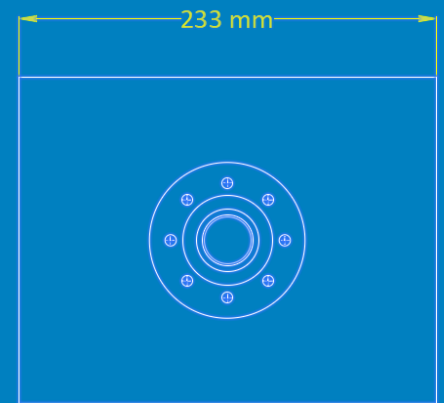
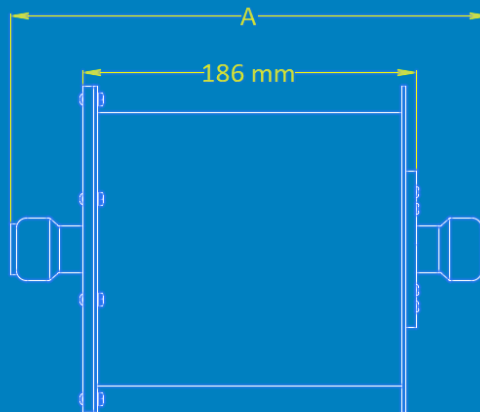
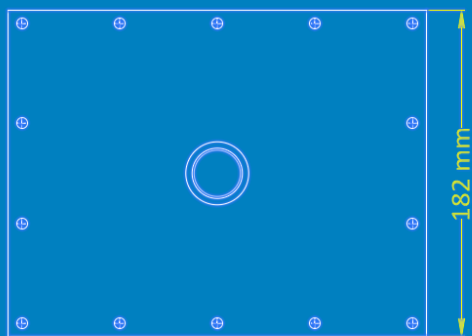
### FOR MUSEUM DISPLAY CASES

Our filtration system is designed to work as standalone unit or with our Mini One and PMCG units.

Standalone unit is working as a positive pressure or recirculating system. A positive pressure system is usually the better solution because a small overpressure inside the cabinet prevents contamination from entering from outside.

Working in conjunction with the Mini One, the air is cleaned before it enters the Mini One.

With PMCG, filter is located between machine and the case.



"A" size: PMCG-275mm, Mini One – 245 mm, Standalone unit: - 260mm

## FILTER CASING

**Material:** steel, black powder coat and acrylic.

**Weight (empty):** 3.5 kg

**Dimensions:** as per drawing

### AIR CONNECTORS

#### Input Side:

PMCG- 16 mm barb

Mini One/Stand Alone: Ø8mm barb.

#### Output Side:

PMCG – 16 mm barb with 12VDC fan.

Mini One: Ø8mm barb.

Stand Alone: 16 mm barb.

## FILTER CARTRIDGES

Usually, filter casing consist 2 cartridges, activated carbon and dust. As standard 2 types of dust and 2 carbon cartridges are offered.

### STANDARD CARTRIDGES:

**F7(MERV13)** particle filter for use with all configuration.

**H14(Type A)** particle filter for use with all configuration.

**Granulated Activated Carbon** for use with Mini One and Stand Alone units.

**Canvas type Activated Carbon** for use with PMCG units.

*See manual for detailed specification.*

### NON STANDARD CARTRIDGES (not for use with PMCG):

**Impregnated with 0.01% metallic silver** coconut shell activated carbon.

**Impregnated with 0.01% metallic bactericide** coconut shell activated carbon.

**Impregnated with 0.01% metallic silver bactericide** coconut shell activated carbon.

**Impregnated with 0.1% metallic silver** coconut shell activated carbon.

**Impregnated with 0.05% metallic silver bactericide** coconut shell activated carbon.

*See manual for detailed info.*

*Minimum order may be required.*

For detailed information, please see our download page: <http://www.preservatech.com/dwl> or scan below.



**ADSORPTION**



**MANUAL**